

# One Step+

Take your first photos.

**Polaroid**  
ORIGINALS

i-Type  
Camera

Quick Start  
Guide

Connect  
to the app.



**I** Download the **Polaroid Originals app** from the Apple App Store or Google Play Store

**II** Turn on Bluetooth® on your smartphone, then turn on Bluetooth on your OneStep+ by pressing the **Plus button** **A**. Open the Polaroid Originals app, and your OneStep+ will pair with your smartphone automatically



**III** You are now connected and ready to explore a world of creative techniques

Download on the  
App Store

GET IT ON  
Google Play



Have a problem,  
or a question you  
need answered?

**USA/Canada**  
usa@polaroidoriginals.com  
+1-212-219-3254

Contact our  
Customer  
Support Team

**EU/Rest of World**  
service@polaroidoriginals.com  
00800 5770 1500

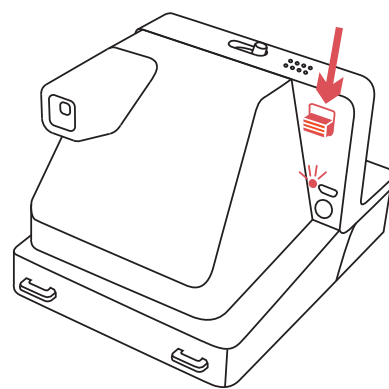
or visit [polaroidoriginals.com/help](http://polaroidoriginals.com/help)



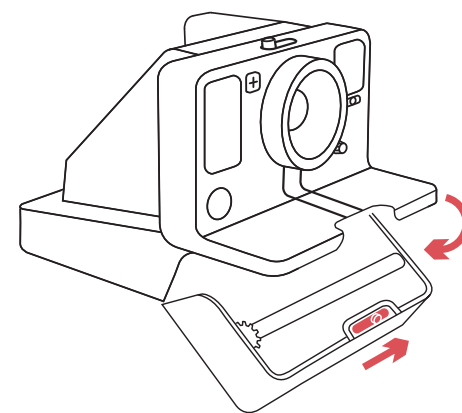
Polaroid, Polaroid Classic Border Logo, Polaroid Originals Design and Polaroid OneStep are trademarks of PLR IP Holdings, LLC, used under license. PLR does not manufacture this product or provide any Manufacturer's Warranty or support.

Apple and the Apple logo are trademarks of Apple Inc., registered in the U.S. and other countries. App Store is a service mark of Apple Inc., registered in the U.S. and other countries. Google Play and the Google Play logo are trademarks of Google LLC.

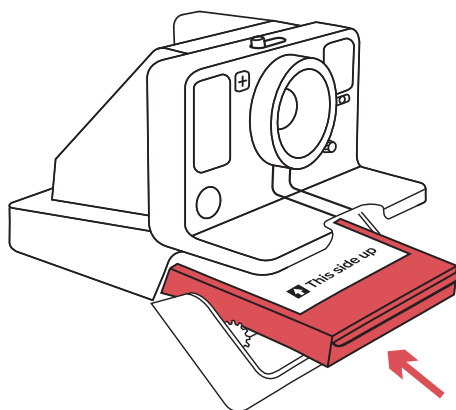
The Bluetooth® word mark and logos are registered trademarks owned by the Bluetooth SIG, Inc. and any use of such marks by Impossible Camera GmbH is under license. Other trademarks and trade names are those of their respective owners.



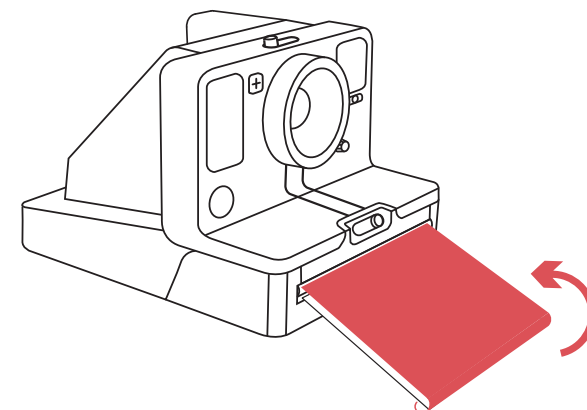
**01** Turn the OneStep+ on by moving the **ON/OFF switch** **M** to the ON position, and check that the **Flash LED** **N** is green



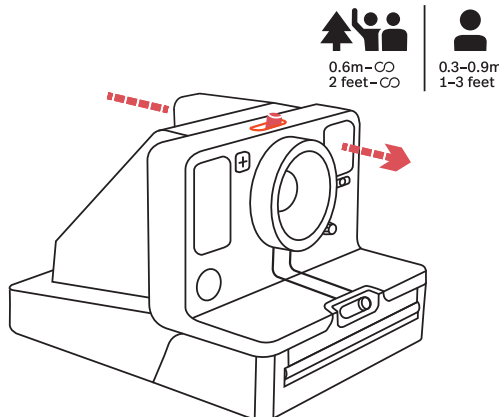
**02** Slide the **film door latch** **G** to open the film door



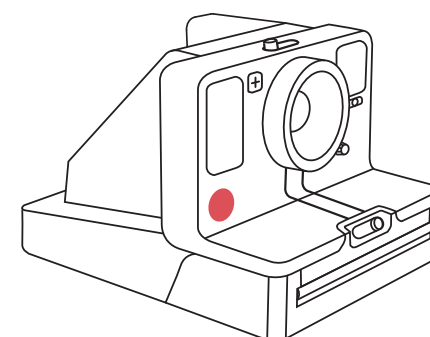
**03** Insert the film pack with the darkslide cover facing up



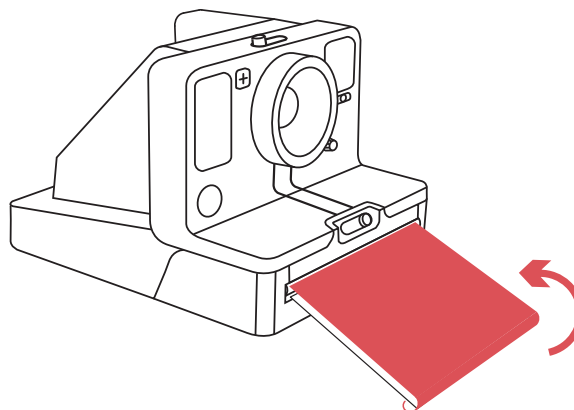
**04** Close the film door. The darkslide will eject automatically beneath the **film shield** **H**. Lift the film shield and allow it to roll back up, then remove the darkslide



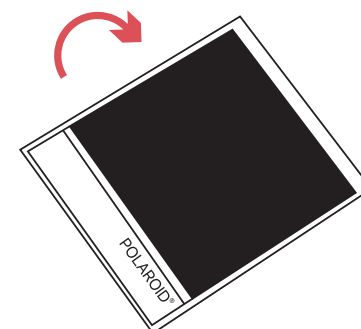
**05** Select the lens you want to use with the **lens switch** **K** (standard for regular photos, or portrait for close-ups) and compose your picture, aligning your eye with the **viewfinder** **J**



**06** Hold the camera steady and press the **shutter button** **I**. The flash will trigger automatically. To shoot without flash, press and hold the **flash override button** **P** on the back while pressing the shutter button



**07** Your photo will eject beneath the **film shield** **H**. After five seconds, lift the film shield, allow it to retract in the camera, then remove your photo



**08** Don't shake or bend the photo! Shield it from light (in a pocket, or face down on a flat surface) until the image begins to emerge – black & white photos take 5-10 minutes, while color pictures take 10-15 minutes

## Plus Button

- Press once Bluetooth® ON/OFF
- Hold for 3s Pairing mode
- Tap twice Self-timer

## Led Notifications

- No light**  
Bluetooth/Self-timer OFF
- Blinking blue**  
Camera is in pairing mode and ready to connect
- Solid blue**  
Camera is connected to a smartphone
- Solid orange**  
Self-timer mode activated
- Blinking orange**  
Self-timer is counting down to take photo

## LED Film Counter

**Blinking rapidly**  
No film inserted or no shots remaining

**Solid lights**  
Current film count (e.g. 4 LEDs = 4 shots remaining)

### Check your camera's charge level

- Press and hold the Plus button **A** while turning on. The LED film counter will light up corresponding with your camera's charge level (e.g. 6 LEDs = 75%)

## Lens Switch

### Standard Lens

0.6m-∞  
2 feet-∞

### Portrait Lens

0.3-0.9m  
1-3 feet

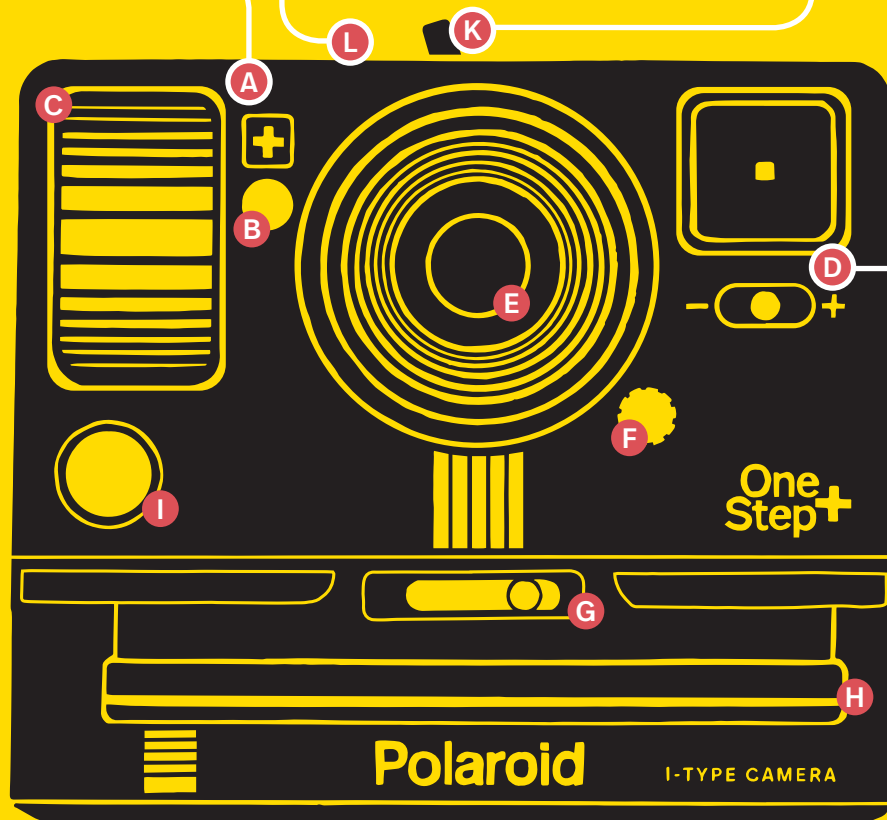
## Lighten/Darken Switch

neutral

lighter image

darker image

- A** Plus Button
- B** Infrared LED
- C** Flash
- D** Lighten/Darken Switch
- E** Lens
- F** Light Meter
- G** Film Door Latch
- H** Film Shield
- I** Shutter Button
- J** Viewfinder
- K** Lens Switch
- L** Film Counter LEDs
- M** ON/OFF Switch
- N** Flash LED
- O** Micro-USB Slot
- P** Flash Override Button
- Q** Neck Strap Loops



## Flash LED

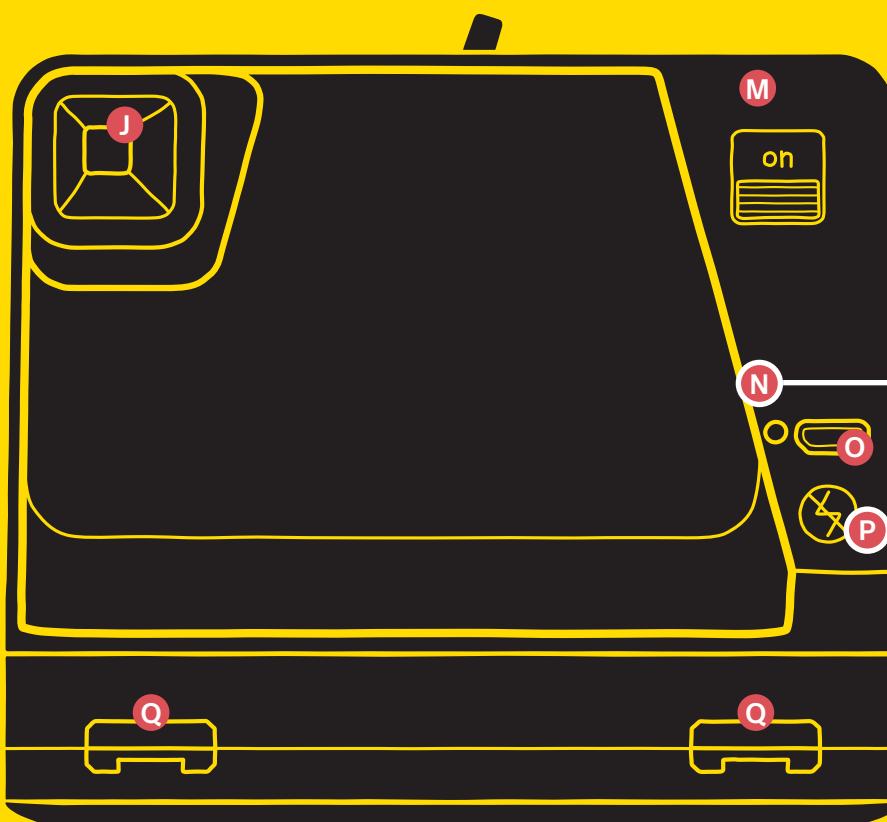
- No light**  
Camera OFF
- Blinking green**  
Camera ON  
Flash charging
- Solid green**  
Camera ON  
Flash charged
- Blinking orange**  
Camera ON  
Battery low  
Flash charging
- Solid orange**  
Camera ON  
Battery low  
Flash charged
- Solid red**  
Battery empty

### While charging

- Solid red**  
Camera charging
- No light**  
Camera fully charged

## Flash Override Button

- Hold while shooting to shoot without flash



Nav# 340213

# One Step+